

INVERTER TECHNOLOGY

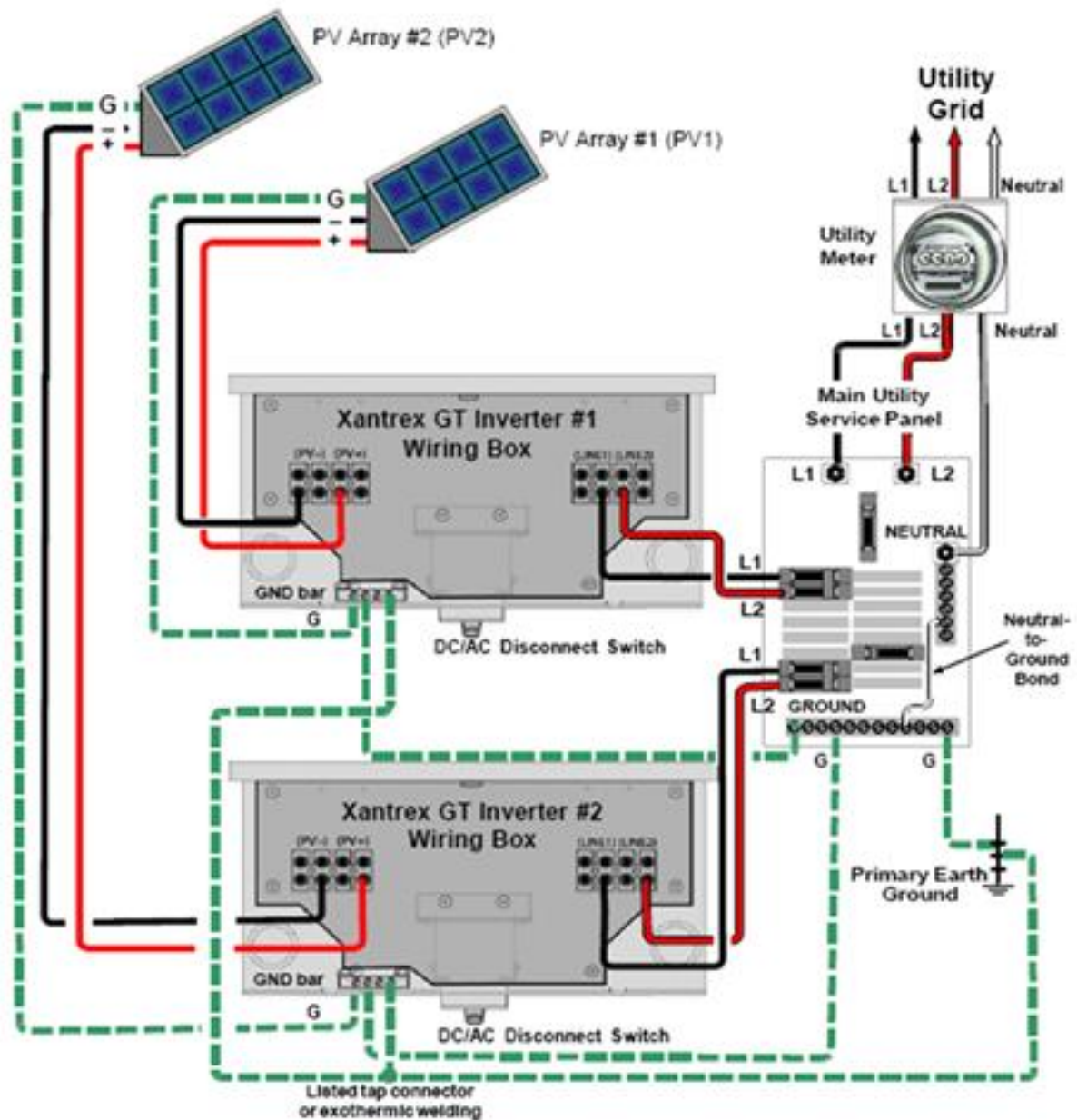


Figure 3-7 DC and AC Wiring With Multiple GT Inverters